

# THE SR-130 POWER TO MOVE

Powerful, portable  
and ready to meet your most  
demanding imaging needs.

Wherever that may take you.



The SR-130 provides higher power, state of the art technology, system reliability and low maintenance, all in a small footprint, lightweight package.

The SR-130 was designed with agility in mind. It's compact, lightweight construction makes it easy for the operator to move the system effortlessly wherever it may need to go.

Delivering maximum mR/mAs, the SR-130 produces 3 kW of power that provides hospital quality imaging, performed anywhere, anytime a Portable X-Ray System is transported to a patient.

## THE SR-130 MODEL FEATURES

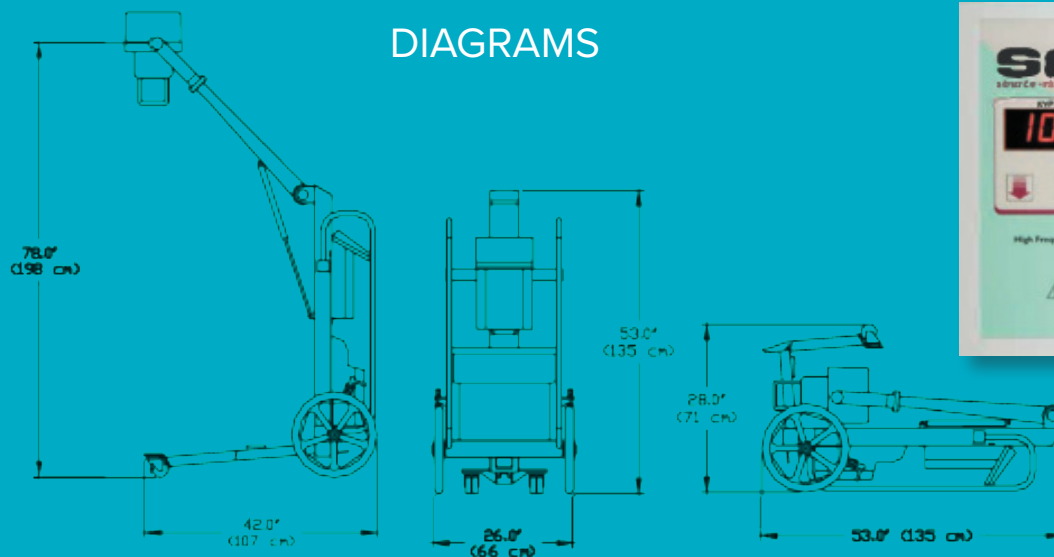
- Higher Power Output (3.0 kW)
- 100 kV, 30 mA, 120 mAs
- High Frequency
- Microprocessor Control
- CR/DR Compatible
- Light Weight
- Designed for Reliability
- Durable Powder Coat Finish
- Limited 3 year warranty
- UL Recognized

# MODEL SR-130 SPECIFICATIONS



<b>GENERATOR</b>	High frequency resonant inverter - 3.0 kW	<b>COLLIMATOR</b>	Collimare CP-24-C
Input Voltage	115/230VAC, 50/60Hz	Laser Crosshairs	Center Locator
kVp Range	40 - 100 kVp, adjustable in 1 kV increments - closed loop regulation	Tape Measure	SID Measurement
mA Range	Fixed, 15 mA and 30 mA - closed loop regulation	Inclinometer	Angle Measurement
mAs Range	0.15 - 120	<b>TRAVEL STAND</b>	
Exposure Time	0.01 - 4.00 seconds	Min. F/S to Floor	13" / 33 cm
Indicators	Digital display of kVp, mAs and Time. X-Ray, Ready, mA Station and Fault indicators.	Max. F/S to Floor	78" / 198 cm
<b>EXPOSURE SWITCH</b>	Detachable two-position	Hor. Ext. of F/S	21" / 53 cm
<b>X-RAY TUBE</b>	Stationary Anode 110 kVp	Hor. Rotation	200°
Filtration	2.7 mm al minimum	Tube Rotation	270°
Target Material	Tungsten	<b>SYSTEM WEIGHT</b>	100 lbs. / 45 kg
Anode Capacity	45,000 HU Storage	Specifications are subject to change without notice. Names of companies and/or products appearing in this document are trademarks and/or registered trademarks for their respective companies. (Complies with CFR 21 Subchapter J)	
Focal Spot	1.0 mm		
Target Angle	15°		

## DIAGRAMS



ISO 13485/CMDCAS Certified



Contact R&R Service and Sales at [rjarrow@aol.com](mailto:rjarrow@aol.com) or 954-214-2685



IMAGING IS EVERYTHING